

# Audi A8 (D3 / 4E, 2002 - 2010) fuses and relays

 [car-box.info/audi/a8/d3-2002-2010.html](http://car-box.info/audi/a8/d3-2002-2010.html)

The A8 is a luxury car manufactured by Audi AG in Neckarsulm, Germany, the successor to the V8. In this material, we will analyze in detail the fuse circuits of the Audi A8 (D3 / 4E) of the 2nd generation of 2002, 2003, 2004, 2005, 2006, 2007, 2008, 2009 of release.



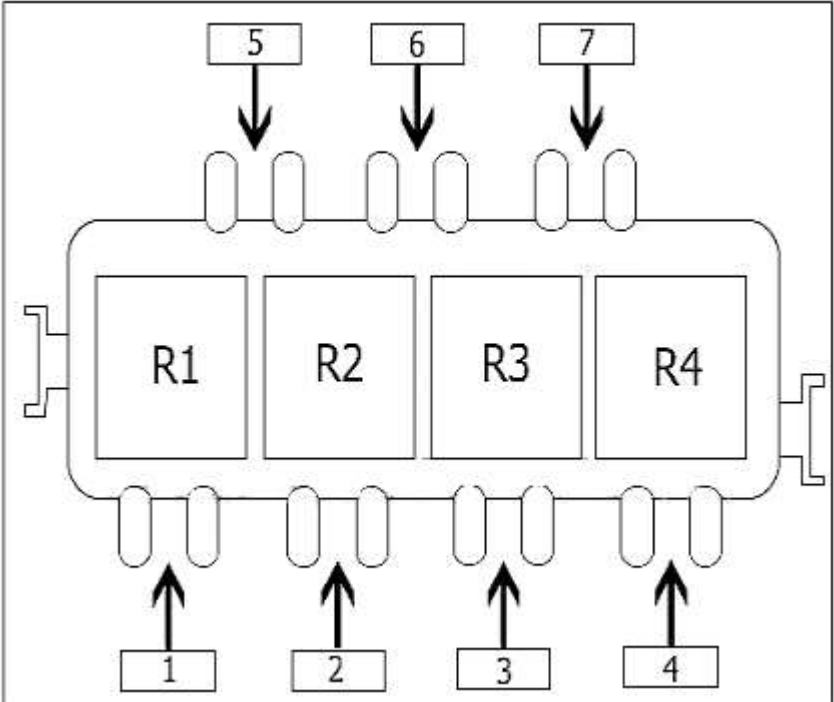
Here you will find the locations and photos of the mounting blocks. Separately, we note the fuse responsible for the fuel pump and cigarette lighter.

## In the engine compartment



It is located in the center of the engine compartment behind the lining.

**Diagram**



No.	Description	A
1	not used	
2	secondary air pump Or glow plug	50/60/80
3	secondary air pump Or glow plug	50/60/80
4	not used	
5		
6		
7		
R1	Glow plug relay Secondary air pump relay	

## Diagram

---

R2

- Glow plug relay
- Main relay
- Secondary air pump relay

---

R3

- Glow plug relay
- Secondary air pump relay
- Main relay

---

R4 not used

## In the passenger compartment

---

There are two fuse mounting blocks and two relay boards here.

### Fuse box #1

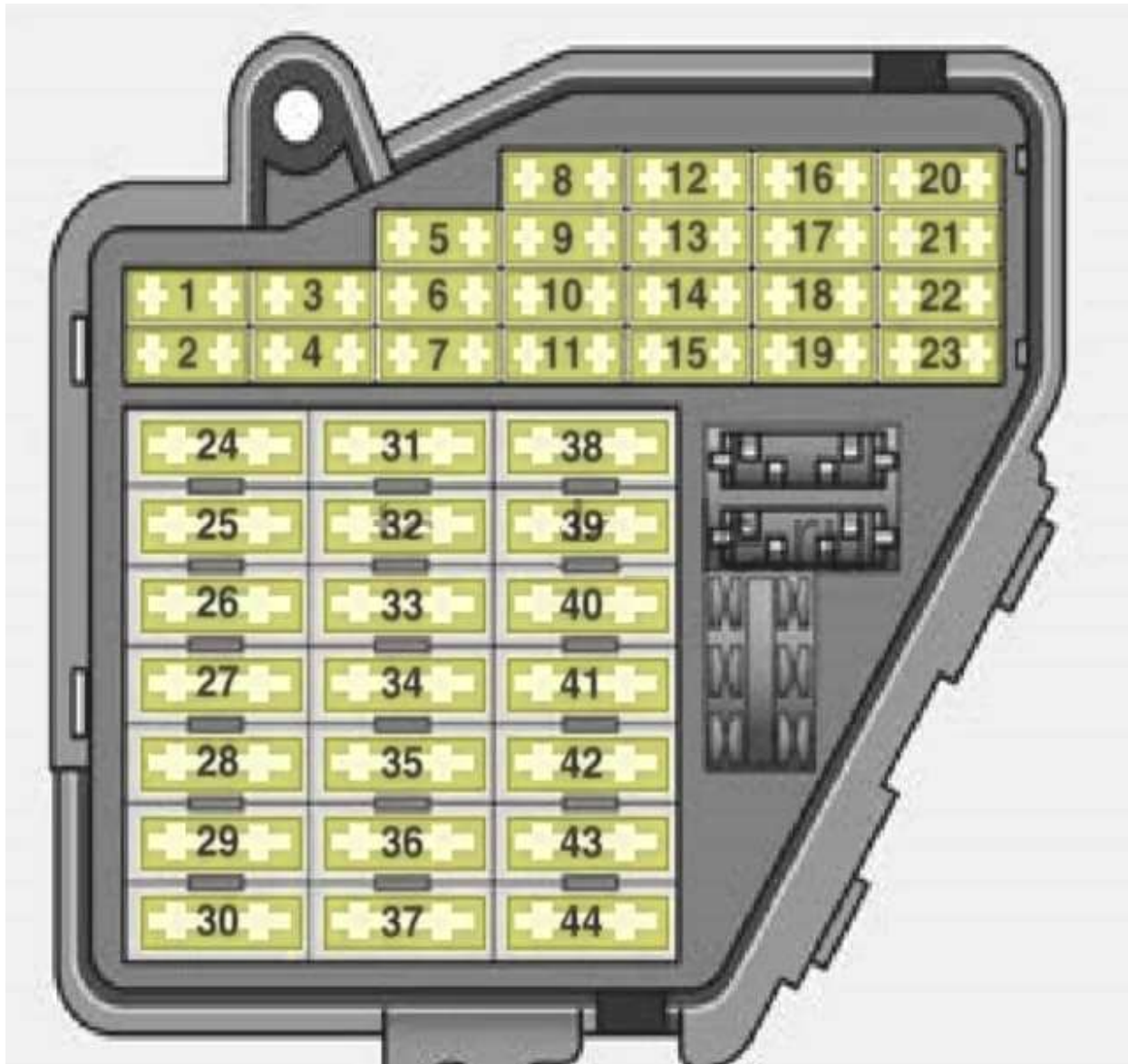
---



Located on the driver's side at the end of the dashboard behind a plastic cover.

### Diagram of the fuse box No. 1 on the driver's side

**Diagram of the fuse box No. 1 on the driver's side**



No.	A	Purpose
1	5	garage door opener (HomeLink)
2	5	parking assistance (acoustic parking system)
3	5	
4	10	automatic headlight beam throw adjustment
5	5	instrument cluster
6	10	steering column electronics control unit
7	5	diagnostic plug
8	5	

### Diagram of the fuse box No. 1 on the driver's side

9	5	electronic stability program (ESP)
10	5	instrument cluster
11	-	is absent
12	5	brake light switch
13	10	telephone
14	-	is absent
15	5	driver identification system control unit
16	-	is absent
17	5	distance maintenance (adaptive cruise control)
18	5	heated windshield washer jets
19	-	is absent
20	5	tire pressure monitoring system
21	-	is absent
22	5	brake light switch
23	5	telepassport
24	15	sound signal
25	40	wiper
26	-	is absent
27	25	electronic stability program (ESP)
28	-	is absent
29	10	lighting switches
30	-	is absent
31	30	onboard power supply control unit, front right lighting
32	-	is absent
33	25	additional space heater for hoi rear left
34	-	is absent
35	-	is absent

### Diagram of the fuse box No. 1 on the driver's side

36	-	is absent
37	-	is absent
38	30	onboard power supply control unit, lighting front left
39	7.5	front left door control unit
40	25	steering column adjustment
41	7.5	rear left door control unit
42	25	start identification/permission control unit
43	-	is absent
44	-	is absent

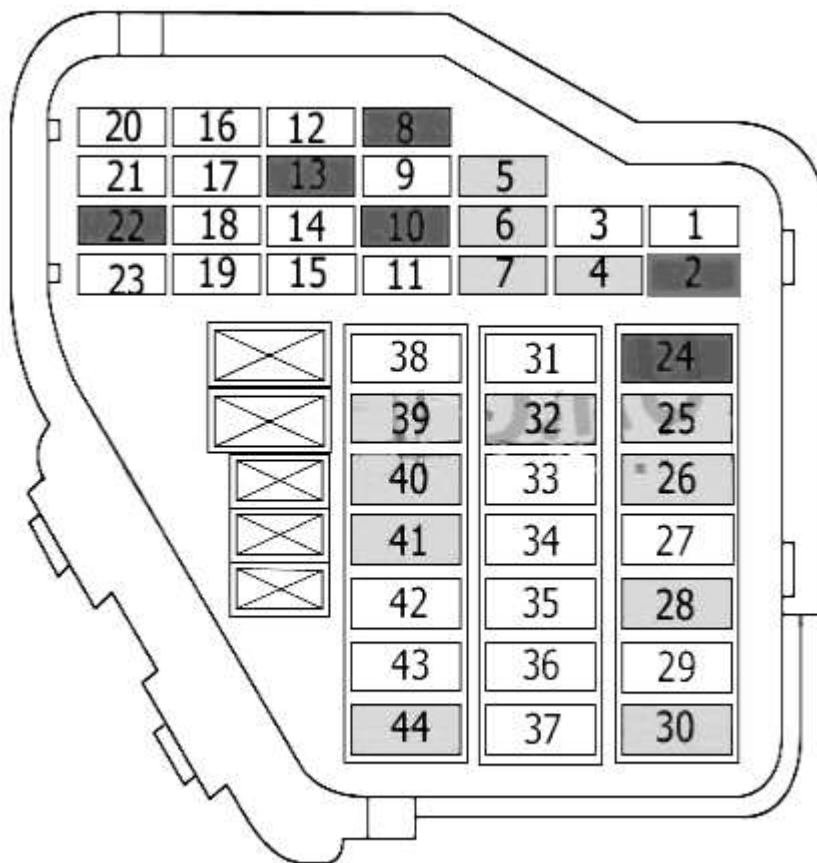
### Fuse box #2



Located on the passenger side behind a plastic cover.

### Assignment of fuses in the passenger side

## Assignment of fuses in the passenger side



No.	A	Description
1	5	electromechanical parking brake
2	10	air conditioning
3	5	shift gate, PN-lock
4	15	automatic transmission (multitronic)
5	15	engine management
6	15	lambda probes
7	15/10	lambda probes/high pressure valve
8	10	engine management, auxiliary water pump
9	5	air conditioning, instrument panel keys
10	10	air suspension (adaptive air suspension)
11	5	light and rain sensor
12	5	display/control unit front

## Assignment of fuses in the passenger side

13	10	electronics in the ceiling
14	5	media player in front (CD player, DVD player, etc.)
15	5	battery-energy management system
16	5	heating crankcase ventilation system
17	5	jura valve electronics
18	-	is absent
19	5	diesel air mass sensor
20	5	air-conditioned seat
21	5/15	engine management (gasoline/diesel)
22	10	fuel cooling
23	5	electromechanical parking brake
24	10	onboard power supply control unit 2
25	15	automatic transmission
26	10	water pump/A/C valves, rear A/C controls
27	20	sliding roof panel
28	5	the engine control unit
29	15	Valve injectors
30	30	ignition coils
31	20/40	fuel pump right/fuel pump electronics (petrol)
32	5/10)	automatic transmission/multitronic
33	25	additional heating gel legroom rear right
34	20	heated/ventilated rear seats
35	20	Heated/ventilated front seats
36	20	<b><u>Front cigarette lighter audi a8 d4</u></b>
37	20/30	<i>rear cigarette lighter and sockets</i>
38	20	additional radiator fan
39	7.5	front right door control unit

## Assignment of fuses in the passenger side

---

40	15	brake booster
41	7.5	rear right door control unit
42	20	auxiliary heater/auxiliary heater
43	30	headlight cleaner
44	30	heater fan

---

## Relay box #1

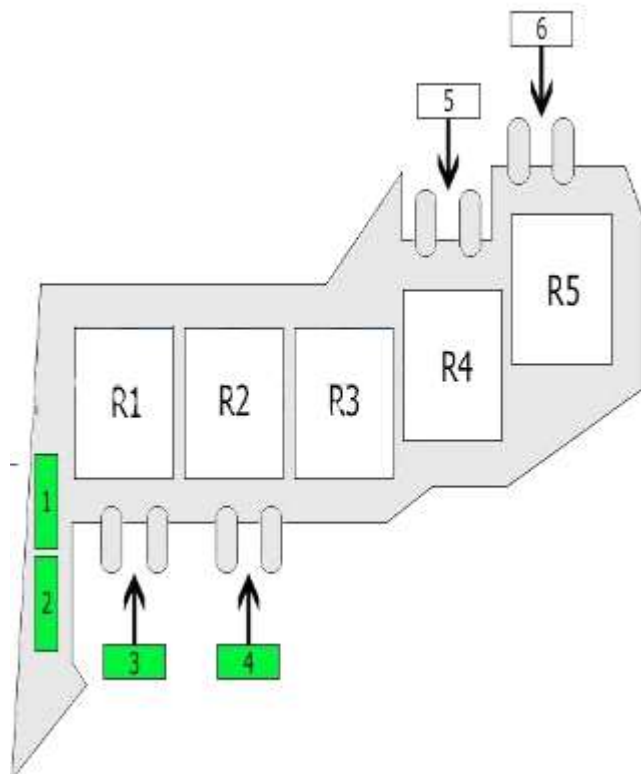
---



Located behind the trim at the passenger's feet.

## Diagram

## Diagram



No.	Purpose	A
R1	<ul style="list-style-type: none"> <li>• Cooling Fan Relay</li> <li>• Cooling Fuel Pump Relay</li> <li>• Brake servomotor</li> <li>• additional coolant pump</li> <li>• Coolant circulation relay</li> </ul>	
R2	Starter relay	
R3		
R4	Fuel pump relay	
	Or	
	Power relay	
R5	Headlight washer relay	
1	Front right window lifter	30
	Or	
	empty	
2	Seat adjustment	30

## Diagram

3	blower	30
	Or	
	Front right window lifter	
	Or	
	empty	
4	Seat adjustment	30
5	not used	
6		

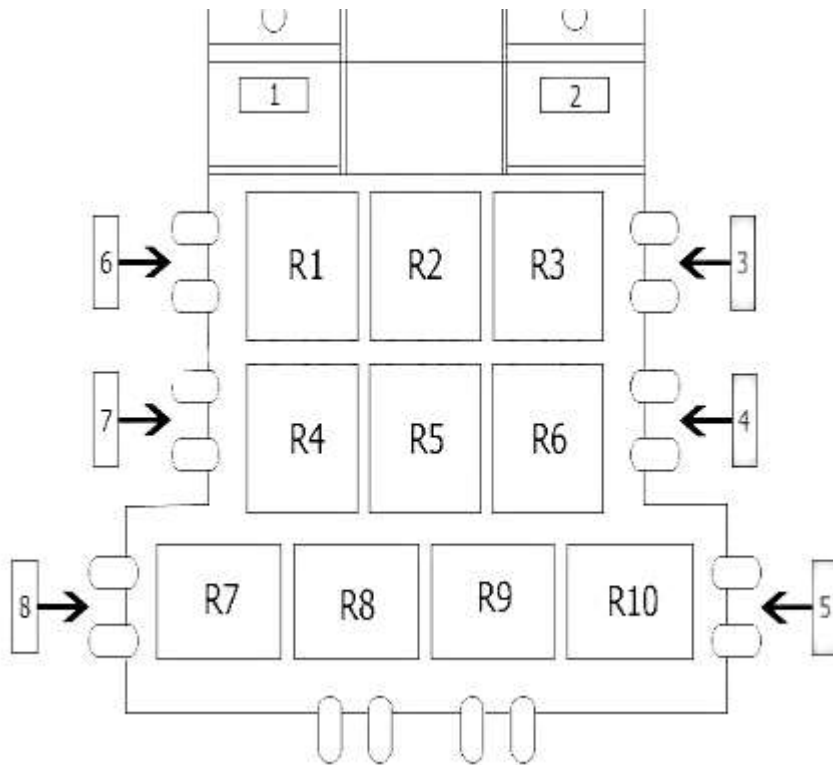
## Relay box #2



Located behind the trim on the driver's side.

## Diagram

## Diagram



No.	Purpose	A
1	ABS control unit	60
2	Leveling system	40
3	Power window	30/40
4	Seat adjustment	30
5		30
6	not used	
7	not used	
8	not used	
R1	Adaptive Suspension Compressor Relay	
R2	signal relay	
R3	Terminal 15 supply voltage relay	
R4	Washer heating relay	
R5	Security system control unit (taxi)	
R6	Terminal 75 supply voltage relay	

## Diagram

---

R7 empty

---

R8 empty

---

R9 empty

---

R10 empty

## In the luggage compartment

---

There are two blocks here.

### Fuse box #1

---

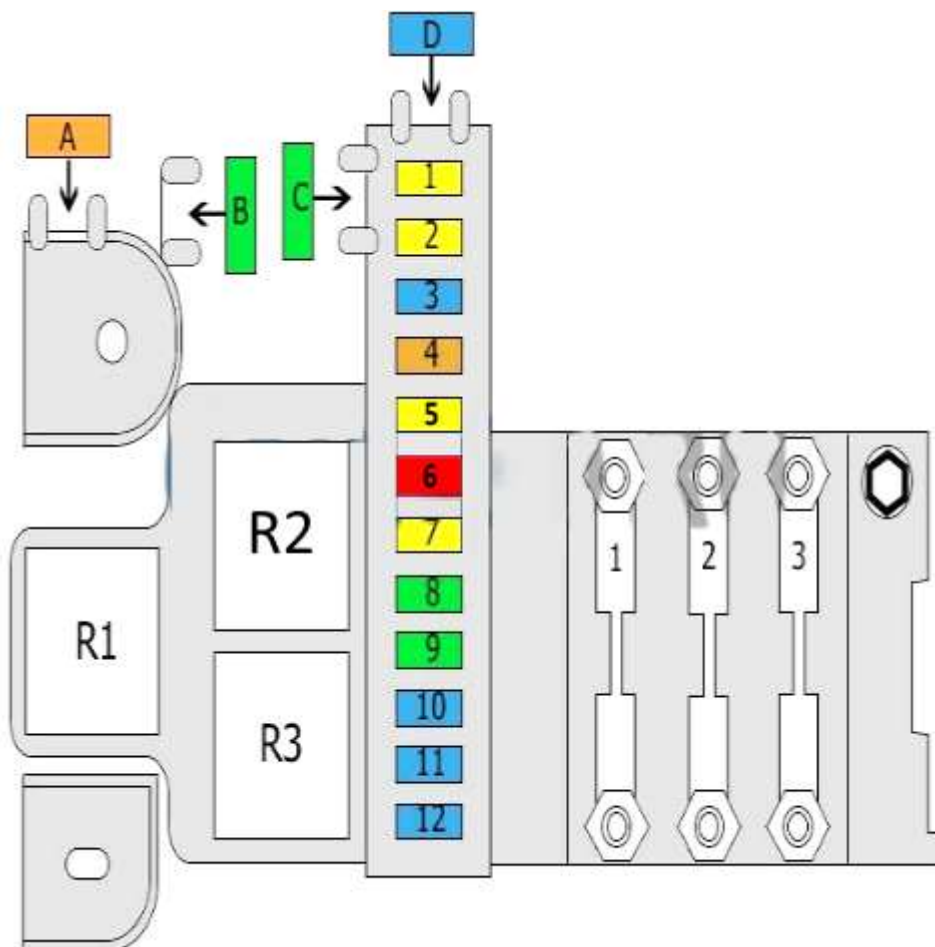


Block number 1 is on the right side behind the skin.



Access example.

### Diagram



## Diagram

No.	A	Description
1	20	fuel pump right (diesel)
2	20	fuel pump on the left (gasoline / diesel)
3	15	trailer socket
4	-	is absent
5	20	intelligent power module at the rear (light on the left)
6	10	intelligent power module at the rear (light on the right)
7	20	intelligent rear power module (trunk closing assist)
8	30	electromechanical parking brake, left motor
9	30	electromechanical parking brake, right motor
10	15	trailer control unit (light left)
11	15	trailer control unit (light on the right)
12	10	trailer control unit
A	40	Rear window heating
B	30/40	Rear seat adjustment
		Or
		Gasoline pump
C	30	Rear seat adjustment
D	15	Communication system
		Or
		Not used
R1		Heated rear window relay
R2		Power relay
R3		<b>Fuel pump relay</b>
1	150	Source of power
2	60	Radio
		Navigation system

## Diagram

---

TV tuner

---

3 110 Rear window heating

## Fuse box #2

---



The second block located on the left side.

## Diagram

## Diagram



No.	A	Purpose
1	-	No
2	-	No
3	-	No
4	-	No
5	30	DSP amplifier
6	5	navigation
7	10	TV tuner
8	-	is absent
9	5	communication block
10	15	phone loudspeaker in hat rack
11	20	socket

**Diagram**

---

12 5 auxiliary heater radio receiver