

Fuses and relays Honda CR-V 4 (RE; RM), 2012 - 2018

 car-box.info/honda/cr-v/4-re-rm-2012-2018.html

The new version of the Honda CR-V, like the previous generations of this model, has undergone dramatic changes. Apart from the new body, which has become more rigid in torsion and bending, the engines and suspension have undergone significant modernization, as well as the all-wheel drive system. In this material, we will analyze in detail the 4th generation Honda CR-V fuse circuits (RE; RM) 2012, 2013, 2014, 2015, 2016, 2017, 2018 release.



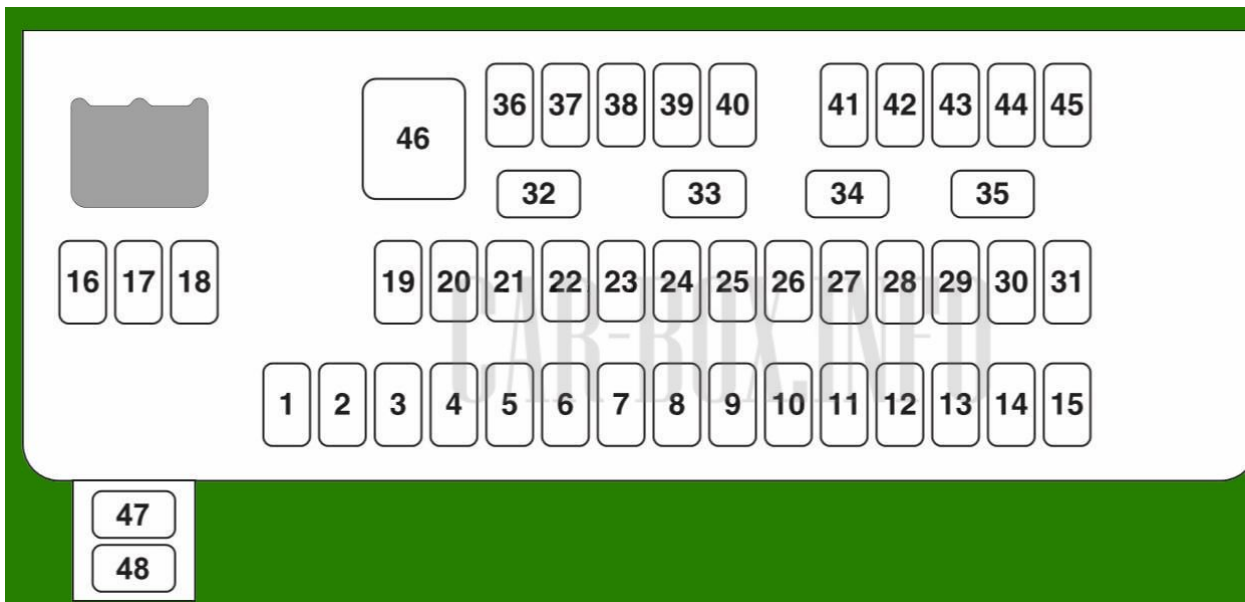
Here you will find the locations and photos of the fuse mounting blocks. Separately, we note the fuse responsible for the cigarette lighter and fuel pump.

In the passenger compartment



Located at the bottom of the dashboard.

Diagram



No.	A	Description
1	-	No
2	10	ACG
3	10	Airbag System (SRS)

Diagram

4	15	<u>Fuel pump fuse honda CR-V</u>
5	10	<ul style="list-style-type: none">• Dashboard * 1• Relay * 2
6	7.5	Electric windows
7	7.5	VB SOL *
8	15	Passenger door lock gear motor (unlocking)
9	10	Motor gearbox of the passenger door lock behind the driver (unlocking)
10	10	Daytime Running Lights
11	20	A roof with a panoramic view*
12	20	Electrical outlet (center console compartment)
13	15	Washer *
14	20	Heated seats*
15	10	Driver's door lock gear motor (unlocking)
16	20	Electric longitudinal adjustment of the driver's seat *
17	20	Driver's electric backrest tilt function *
18	20	Electric tailgate closing *
19	7.5	ACC
20	7.5	Ignition key lock ACC
21	7.5	Daytime Running Lights
22	7.5	Air conditioner
23	10	Wiper / Washer Relay
24	7.5	ABS / VSA relay * 1 2 * 2
25	7.5	Backup FL ECU I / S APD * 2
	10	Audio system * 1
26	20	Super locking of door locks *
27	20	Electrical outlet (front console), cigarette lighter fuse
28	15	Washer *

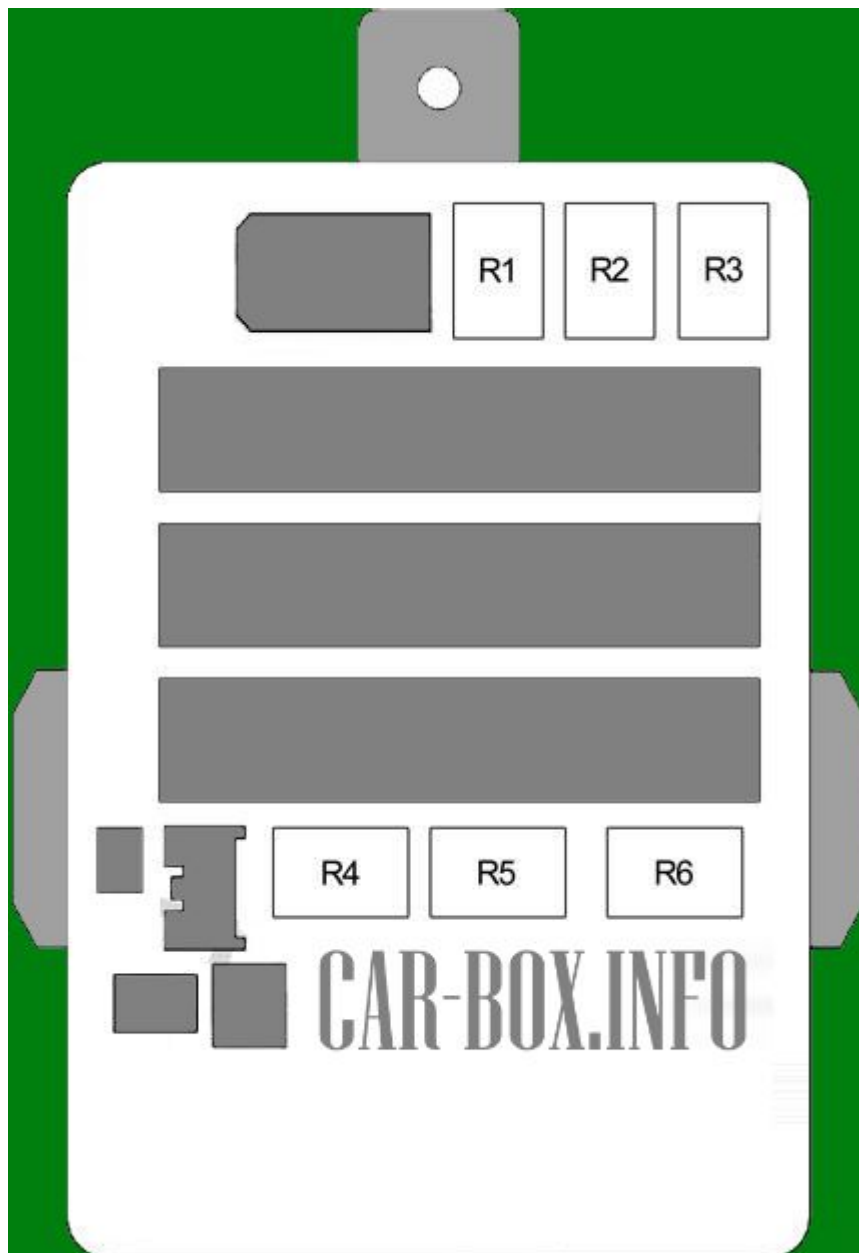
Diagram

29	7.5	SRS2
30	10	Driver's door lock gear motor (blocking)
31	10	Smart *
32	15	Motor gearbox of door locks on the front passenger side (blocking)
33	15	Driver's side door locks gear motor (blocking)
34	10	Low power lamps
35	7.5	Lighting
36	10	Rear wiper main fuse *
37	15	Turning headlight *
38	10	Left headlight (high beam)
39	10	Right headlight (high beam)
40	7.5	Rear fog lamp
41	20	Door locks
42	20	Driver's door window regulator
43	20	Power window rear right door
44	20	Front passenger door power window
45	20	Power window, rear left door
46	20	Starter*
	30	Windshield wiper *
47	7.5	UBECU *
48		No

Note : * 1. Vehicles not equipped with an auto-idle system * 2: Vehicles equipped with an auto-idle system

Purpose of relay modules

Diagram



R1 Engine control unit (No. 2)

R2 Front outlet

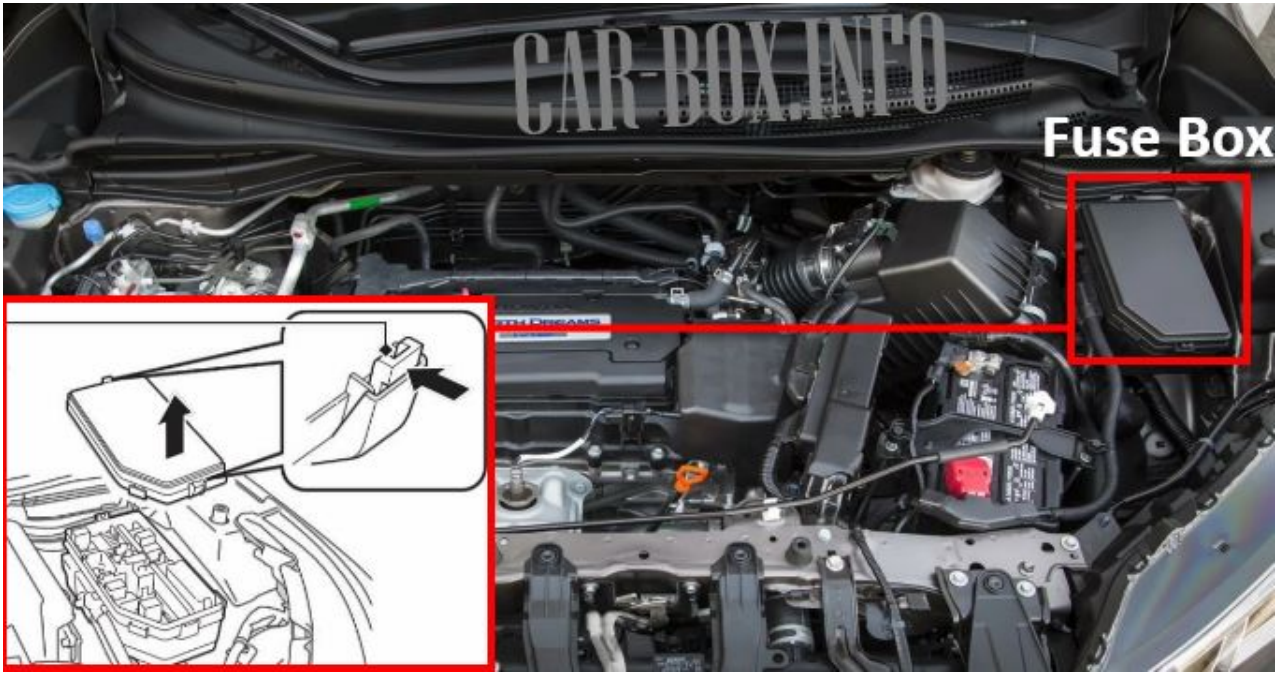
R3 Starter relay

R4 Throttle body (ETCS)

R5 Engine control unit (No. 1)

R6 Power window relay

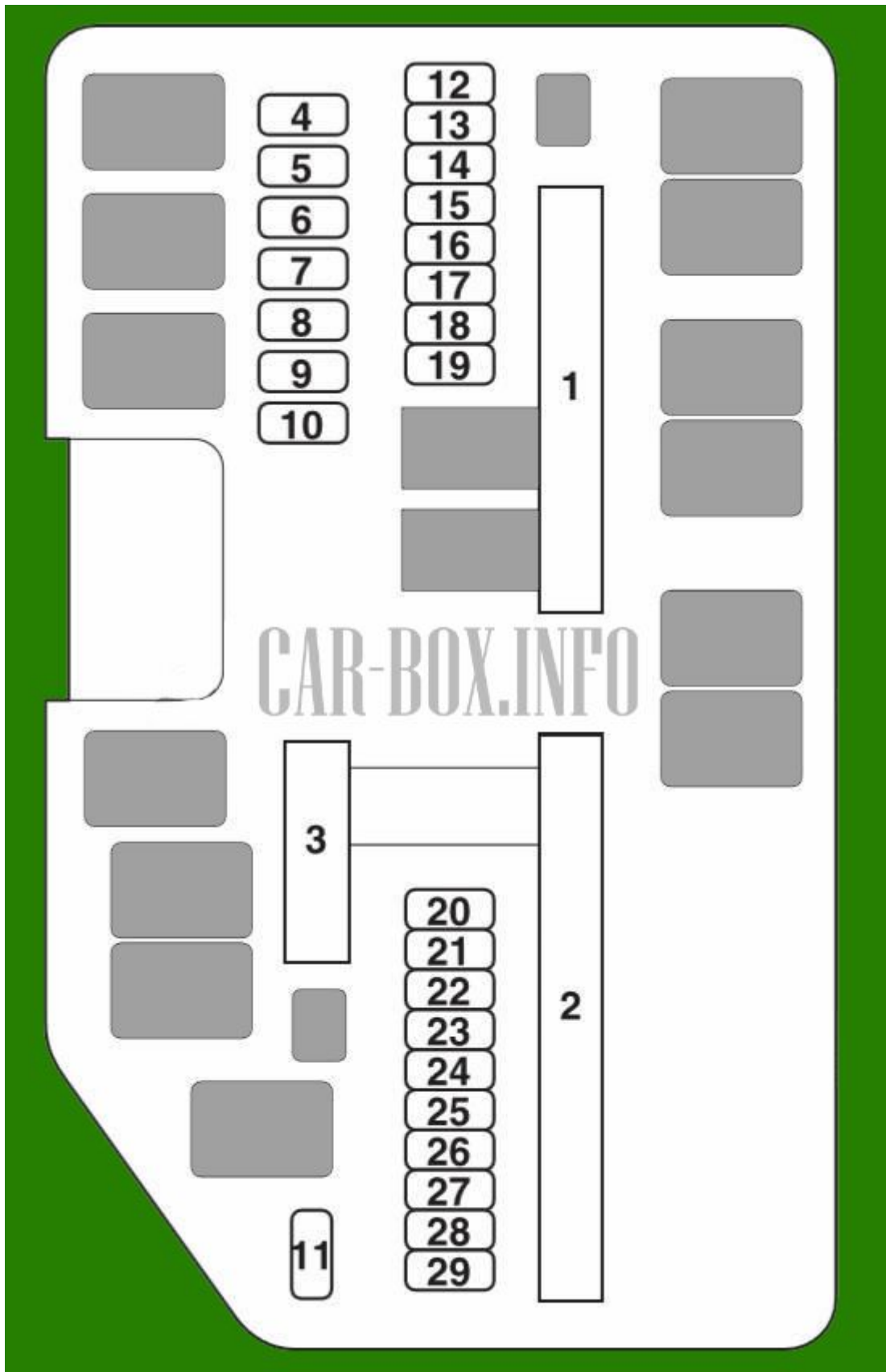
In the engine compartment



The fuse block is located on the left side of the engine compartment.

Diagram

Diagram



No.	A	Decoding
1	70	Electric power steering (EPS)

Diagram

	30	Left pretensioner *, * 1
	70	Glow plugs * 2, * 3
	40	ABS / VSA motor
	20 30	<ul style="list-style-type: none"> • ABS / VSA FSR * 1 • DC / DC1 * 2, * 3
	30	E-DPS * 1
	100 * 1	Main fuse
	150 * 2, * 3	
2	50	Ignition switch
	60	Main unit fuse
	60	Main fuse for block 2
	30	Main headlight fuse
	30	<ul style="list-style-type: none"> • high beam * 1 • Headlight main fuse * 2, * 3
	30	Relay ST * 1
	30	Heated rear window * 1
	30	Right e-pretensioner *, * 1
	30	DC / DC 2 * 2, * 3
	40	Ventilation fan motor
	30	Windshield wiper main fuse * 1
	30	Heated rear window * 2, * 3
	20 * 1	Auxiliary fan motor
	20 * 1	Main fan motor
3	40	A / C PTC # 1,2,3,4: * 2, * 3
4	-	No
5	-	No

Diagram

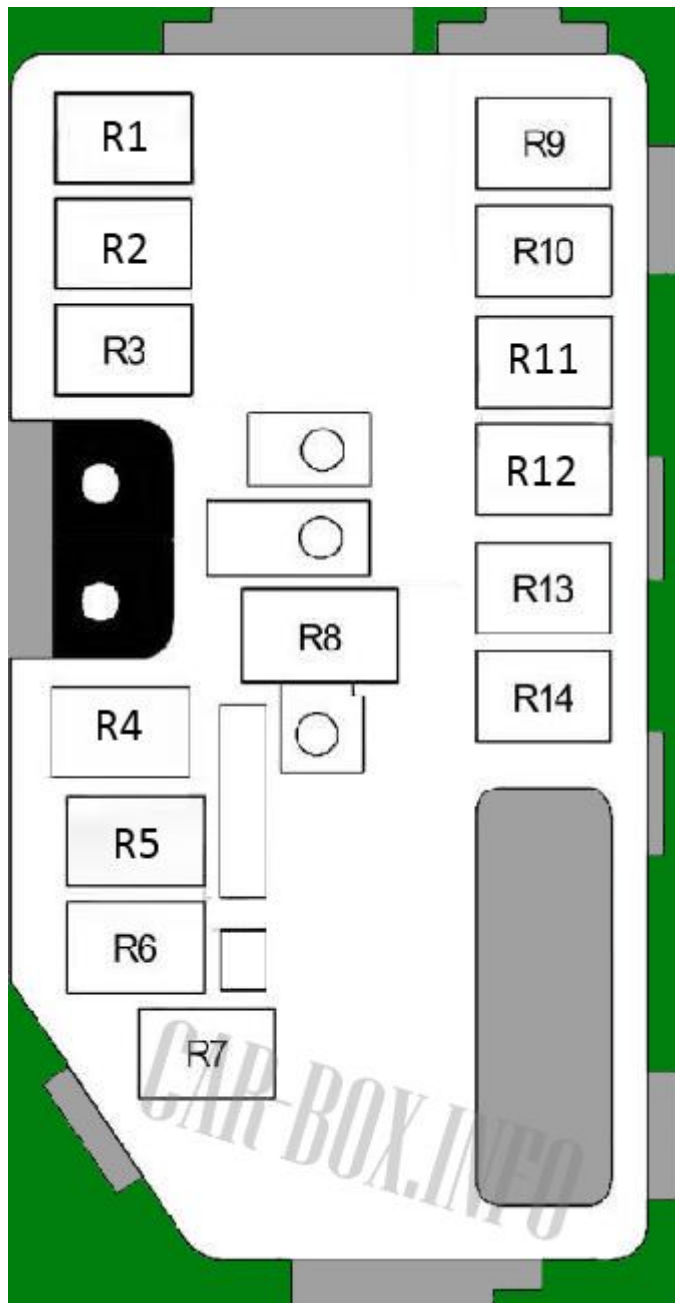
6		<ul style="list-style-type: none"> • UB ECU (R / B) * 3 • Interior lighting * 2
7	10	Reversing lights * 2, * 3
8	7.5	Sub Fan RLY CL * 1
9	7.5	<ul style="list-style-type: none"> • IGPS * 2, * 3 • Heated Rearview Mirrors * 1
10	7.5	Interior lighting 3 Reversing light 2 * 2
11	7.5	<ul style="list-style-type: none"> • ST MG DIODE / STRLD * 1 • STRLD * 2, * 3
12	20	Fog lights*
13	20 30	<ul style="list-style-type: none"> • Audio amplifier * 1, * 3 • Pretensioner Left (Min) * 2
14	10	Sound signal
15	10	Alarm
16	10 A * 1 15 A * 2, * 3	Stop signal
17	15 10	IG Coil * 1 Laf * 2, * 3
18	15	IGP 2
19	20	ABS / VSR FSR (Min) * 2, * 3
21	30	Headlight washer*
22	15 7.5	Drive By Wire * 1 Back Up FI ECU * 2, * 3
23	15 * 1 20 * 2, * 3	IGP
24		Left headlight (low beam)
25		Right headlight (low beam)

Diagram

26	20	Side lights, main
27	7.5	Coupling MG
	7.5	Interior lighting * 1
28	20	Standby, Interior lighting, main * 2, * 3
29	10	Buck Up * 1
29	20	Rear ACC * 2, * 3

- * 1: with gasoline engine.
- * 2: with diesel engine and auto-idle system
- * 3: with diesel engine without auto-idle system
- * 4: with halogen headlights
- * 5: with high voltage discharge headlamps

Description of relay modules



R1 Heater

R2 -

R3 Air conditioner fan

R4 Ignition coils

R5 Front fog light

R6 Engine control unit (PGM-FI)

R7 Heated rear window

R8 Electrical Load Cell (ELD)

R9 -

R10	Sound signal
R11	Fan control
R12	Cooling fan
R13	-
R14	A / C Compressor Clutch
