

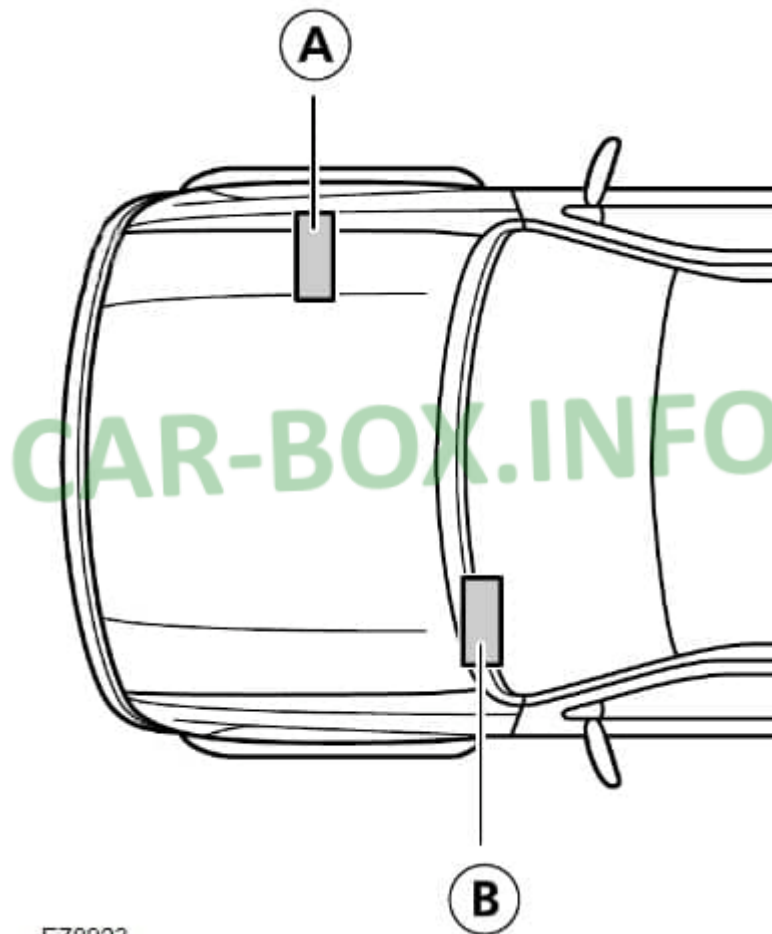
Fuses Ford Ranger, 2006 - 2012

 car-box.info/ford/ranger/2006-2012.html

The compact pickup Ford Ranger was produced in North America until 2013 in three generations. Following this digging, Ford introduced the updated European Ford Ranger T6. In our article we will present a description of the Ford Ranger fuse boxes and relays that were injected in 2006, 2007, 2008, 2009, 2010, 2011 and 2012. Note the fuse responsible for the cigarette lighter.

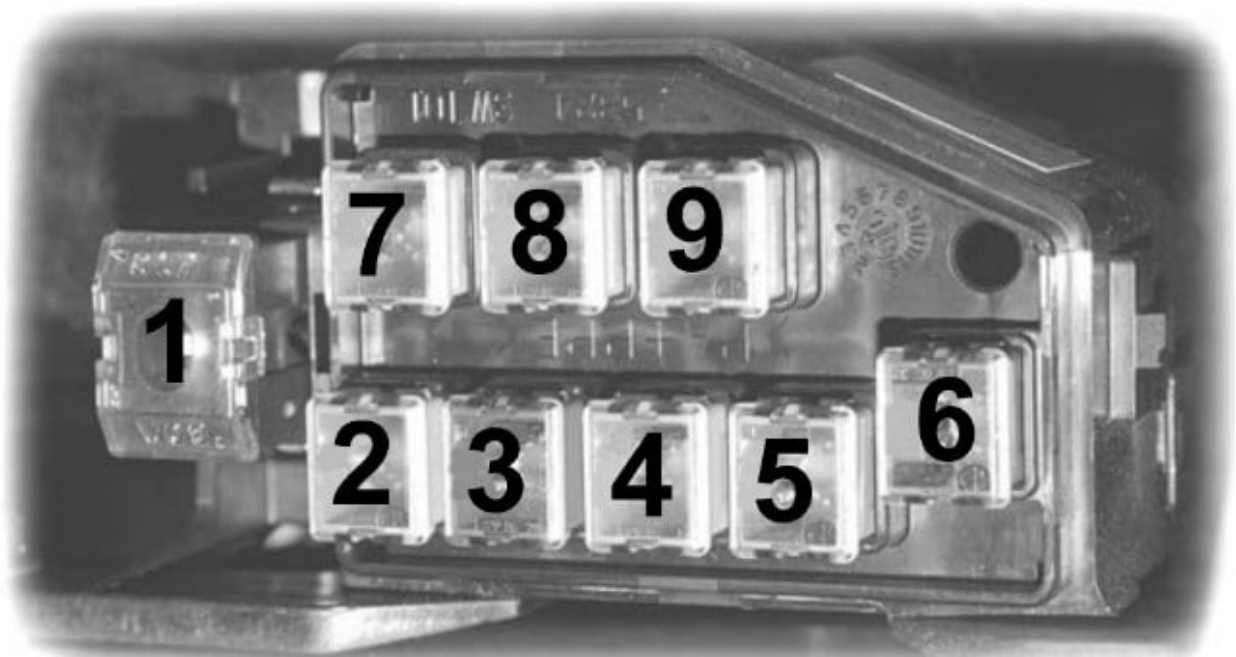


This model has 2 main blocks with fuses and relays: in the passenger compartment and under the hood. Their performance may differ and depends on the year of manufacture and the country of delivery of the car.



In the engine compartment

Diagram



No	Description
----	-------------

1	80A To protect all circuits
---	-----------------------------

2	60A Glow plug
---	---------------

3	40A Engine management systems, instrument cluster, cigarette lighter and power windows
---	--

4	60A Headlights
---	----------------

5	20A Injectors and fuel system
---	-------------------------------

6	40A ABS electric motor, hazard warning lamps, brake light
---	---

7	30A Fuel heater
---	-----------------

8	60A Air conditioning system, windscreen wipers and washers
---	--

9	60A Air conditioning system, heated rear window or central locking or ABS solenoid valve 1, or power windows or lamps for rear position or fog lamps
---	--

In the passenger compartment

Diagram

Diagram



CAR-BOX.INFO

№ Description

- | | |
|----|---|
| 1 | 20A Cigarette lighter, audio system, electric drive of outside mirrors, additional electrical outlet |
| 2 | 15A Heated seat |
| 3 | 15A Windscreen wipers and washers |
| 4 | 10A Relay for air conditioning and ABS |
| 5 | 30A Centralized locking system |
| 6 | 30A Electric windows |
| 7 | 20A ABS solenoid valve |
| 8 | 15A Brake lights and horn |
| 9 | 10A Hazard warning light |
| 10 | 15A Instrument cluster, reversing lights, direction indicators and automatic front wheel hub lock (RWF) |
| 11 | 15A Engine management systems |
-

Diagram

12 Reserve

13 10A Air Conditioning Electromagnetic Clutch

14 20A Heated rear window

15 10A Rear fog lamp

16 15A Right head lamp

17 15A Left head lamp

18 15A Front fog lamps

19 10A Rear parking lights, front parking lights, license plate light

20 15A Interior lamps and warning lamps

21 Reserve

22 30A Electric windows